

4 ★ RR(B)/300/4493

B

Question Paper Serial No. **300**

ಒಟ್ಟು ಮುದ್ರಿತ ಪುಟಗಳ ಸಂಖ್ಯೆ : 8]

Total No. of Printed Pages : 8]

ಒಟ್ಟು ಪ್ರಶ್ನೆಗಳ ಸಂಖ್ಯೆ : 6]

Total No. of Questions : 6]

**CCE RR
UNREVISED
REDUCED SYLLABUS**

ಸಂಕೇತ ಸಂಖ್ಯೆ : **72**

Code No. : 72

ವಿಷಯ : ಇಂಜಿನಿಯರಿಂಗ್ ಗ್ರಾಫಿಕ್ಸ್ - 2

Subject : ENGINEERING GRAPHICS - 2

(ಪುನರಾವರ್ತಿತ ಶಾಲಾ ಅಭ್ಯರ್ಥಿ / Regular Repeater)

ದಿನಾಂಕ : 08. 04. 2023]

[Date : 08. 04. 2023

ಸಮಯ : ಮಧ್ಯಾಹ್ನ-2-30 ರಿಂದ 5-45 ರವರೆಗೆ] [Time : 2-30 P.M. to 5-45 P.M.

ಪರಮಾವಧಿ ಅಂಕಗಳು : 50]

[Max. Marks : 50

General Instructions to the Candidate :

1. This Question Paper consists of 6 subjective types of questions.
2. This question paper has been sealed by reverse jacket. You have to cut on the right side to open the paper at the time of commencement of the examination. Check whether all the pages of the question paper are intact.
3. Follow the instructions given against both the objective and subjective types of questions.
4. Figures in the right hand margin indicate maximum marks.
5. The maximum time to answer the paper is given at the top of the question paper. It includes 15 minutes for reading the question paper.

[Turn over

ಇಲ್ಲಿಂದ ಕತ್ತರಿಸಿ

TEAR HERE TO OPEN THE QUESTION PAPER
ಪ್ರಶ್ನೆ-ಪತ್ರಿಕೆಯನ್ನು ತೆರೆಯಲು ಇಲ್ಲಿ ಕತ್ತರಿಸಿ

Tear here

Instructions : i) Answer *all* the questions.

ii) Retain the constructional details.

iii) All dimensions are in mm.

iv) Use first angle projection only.

v) Missing dimensions may be assumed.

vi) All drawings should be drawn in drawing sheet only.

1. A square pyramid of base side 40 mm and axis 60 mm is resting on its base on the H.P. Draw its projection when all the sides of the base are equally inclined to the V.P.

2. The pictorial view of an object is shown in Figure No. 1. Draw the following orthographic views and mark the dimensions.

i) Front view — looking in the direction of arrow 'X'

ii) Top view — looking in the direction of arrow 'Y'

iii) Side view — looking in the direction of arrow 'Z'.

5

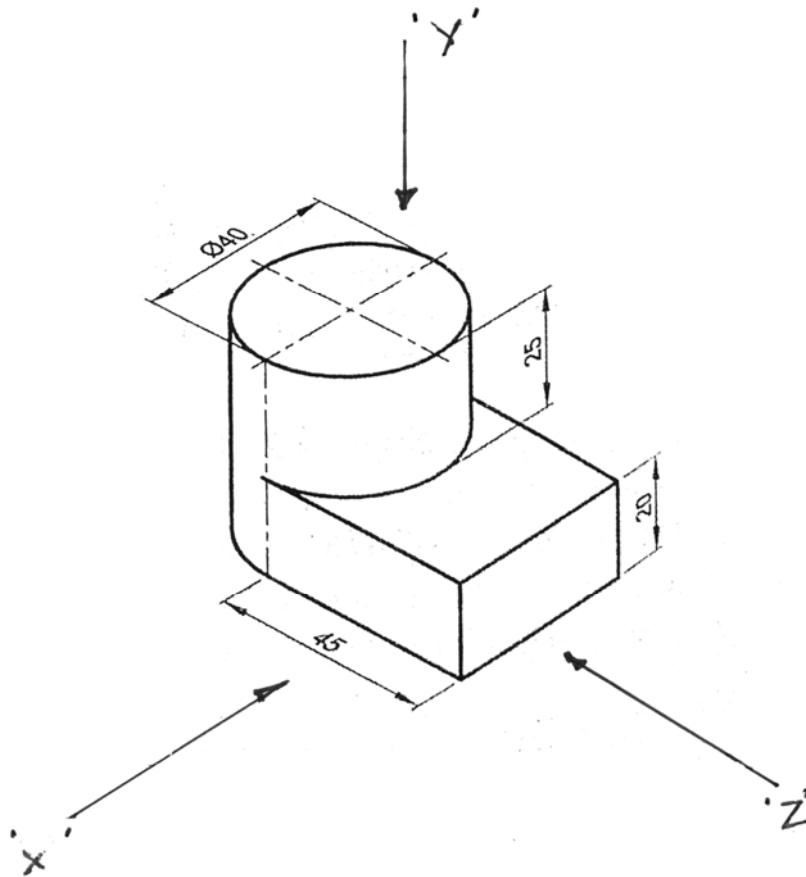


Figure No. 1

[Turn over

3. A pentagonal prism of base edge 30 mm and axis 60 mm rests on an edge of its base in the H.P. Its axis is parallel to V.P. and inclined at 45° to the H.P. Draw its projections. 10
4. The orthographic views of an object are shown in Figure No. 2. Draw the isometric projection of the object. 10

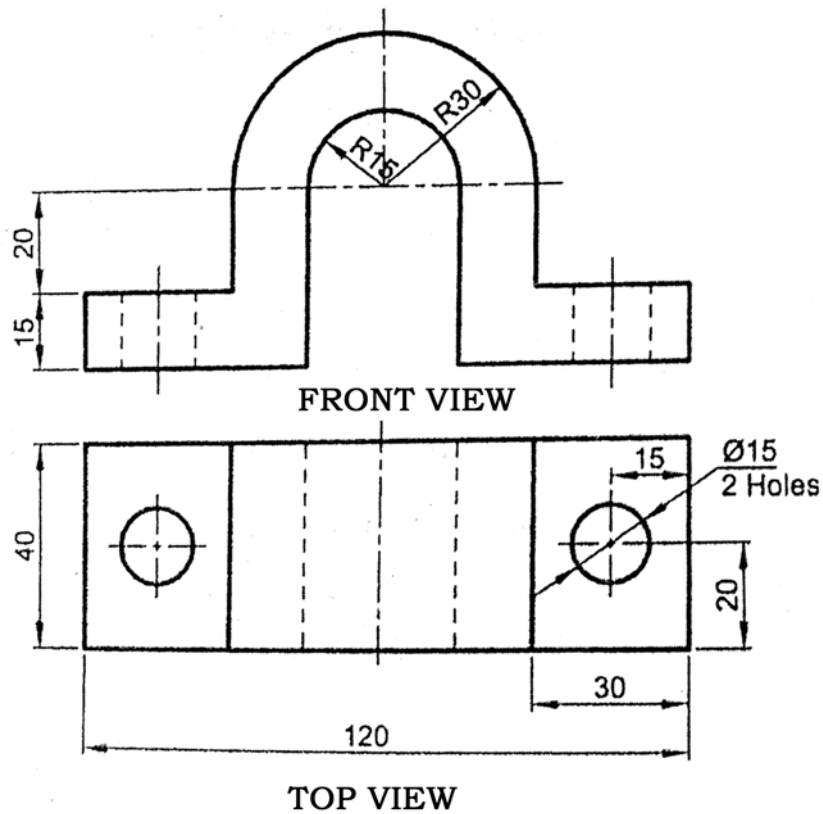


Figure No. 2

5. Draw the isometric projection of the object whose orthographic projections are shown in Figure No. 3. 10

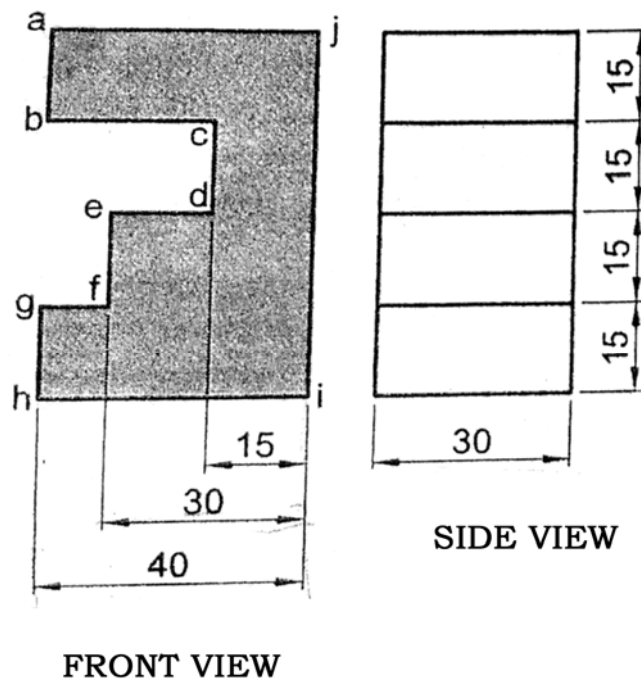


Figure No. 3

[Turn over

6. The pictorial view of an object is shown in Figure No. 4. Draw the following orthographic views and mark the dimensions.

i) Front view — looking in the direction of arrow 'X'

ii) Top view — looking in the direction of arrow 'Y'

iii) Side view — looking in the direction of arrow 'Z'.

10

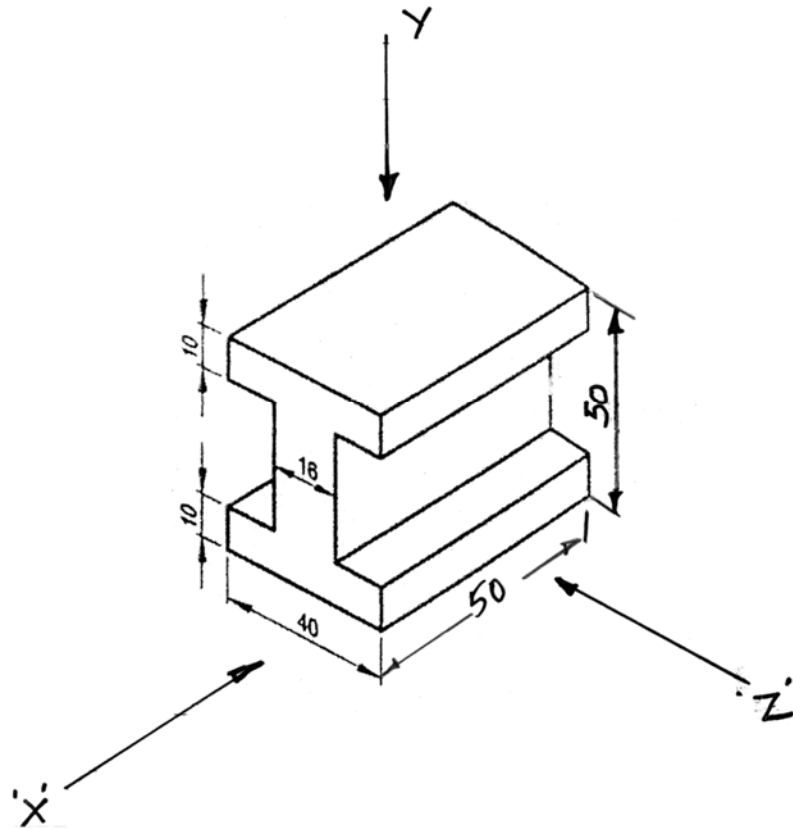


Figure No. 4

OR

The pictorial view of an object is shown in Figure No. 5. Draw the following orthographic views and mark the dimensions.

- i) Front view — looking in the direction of arrow 'X'
- ii) Top view — looking in the direction of arrow 'Y'
- iii) Side view — looking in the direction of arrow 'Z'.

10

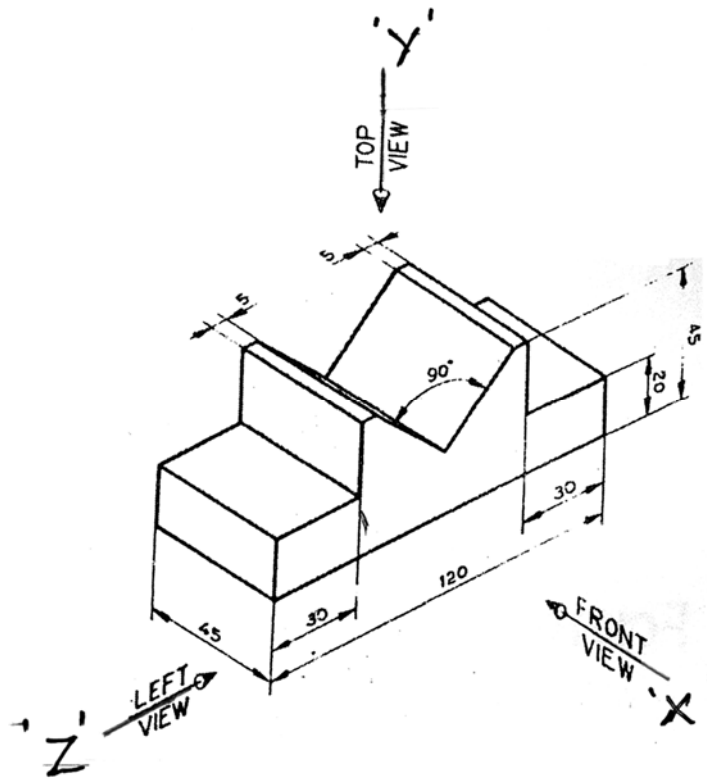


Figure No. 5

4 ★ RR(B)/300/4493

8

CCE RR

72