

**A****Sl. No. : CCC**

ಒಟ್ಟು ಪ್ರಶ್ನೆಗಳ ಸಂಖ್ಯೆ : 6 ]

[ ಒಟ್ಟು ಮುದ್ರಿತ ಪುಟಗಳ ಸಂಖ್ಯೆ : 4

Total No. of Questions : 6 ]

[ Total No. of Printed Pages : 4

ಸಂಕೇತ ಸಂಖ್ಯೆ : **72****Code No. : 72****CCE RF  
CCE RR  
REVISED**

ಇಲ್ಲಿಂದ ಕತ್ತರಿಸಿ

**ವಿಷಯ : ಇಂಜಿನಿಯರಿಂಗ್ ಗ್ರಾಫಿಕ್ಸ್ - 2****Subject : ENGINEERING GRAPHICS - 2****( ಹೊಸ ಪಠ್ಯಕ್ರಮ / New Syllabus )****( ಶಾಲಾ ಅಭ್ಯರ್ಥಿ & ಪುನರಾವರ್ತಿತ ಶಾಲಾ ಅಭ್ಯರ್ಥಿ / Regular Fresh & Regular Repeater )**

ದಿನಾಂಕ : 23. 03. 2019 ]

[ Date : 23. 03. 2019

ಸಮಯ : ಮಧ್ಯಾಹ್ನ-2-00 ರಿಂದ 5-15 ರವರೆಗೆ ] [ Time : 2-00 P.M. to 5-15 P.M.

ಪರಮಾವಧಿ ಅಂಕಗಳು : 50 ]

[ Max. Marks : 50

**General Instructions to the Candidate :**

1. This Question Paper consists of 6 subjective types of questions.
2. This question paper has been sealed by reverse jacket. You have to cut on the right side to open the paper at the time of commencement of the examination. Check whether all the pages of the question paper are intact.
3. Follow the instructions given against both the objective and subjective types of questions.
4. Figures in the right hand margin indicate maximum marks.
5. The maximum time to answer the paper is given at the top of the question paper. It includes 15 minutes for reading the question paper.

**TEAR HERE TO OPEN THE QUESTION PAPER**

ಪ್ರಶ್ನೆಪತ್ರಿಕೆಯನ್ನು ತೆರೆದುಕೊಳ್ಳಲು ಇಲ್ಲಿ ಕತ್ತರಿಸಿ

Tear here

**RF + RR(A)-1006**

[ Turn over

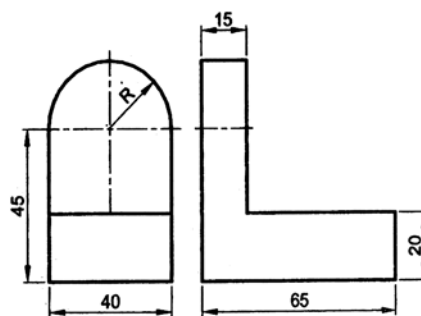
- Instructions :*
- i) Answer *all* the questions.
  - ii) Retain the constructional details.
  - iii) All dimensions are in mm.
  - iv) Use first angle projection only.
  - v) Missing dimensions may be assumed.
  - vi) All drawings should be drawn in drawing sheet only.

1. A square prism of base side 40 mm and axis 60 mm is resting on its base on the ground. Draw its projections when a face is perpendicular to the V.P. 5
2. With a neat sketch show the proportions and angle of the following threads :
  - a) B. A. thread
  - b) Square thread. 5
3. A hexagonal pyramid of base side 30 mm and axis 60 mm has an edge of its base on the ground. Its axis is inclined at  $30^\circ$  to the ground and parallel to the V.P. Draw its projections. 10

OR

A hexagonal pyramid of base edge 30 mm and axis 60 mm has a triangular face on the ground and the axis parallel to the V.P. Draw its projections. 10

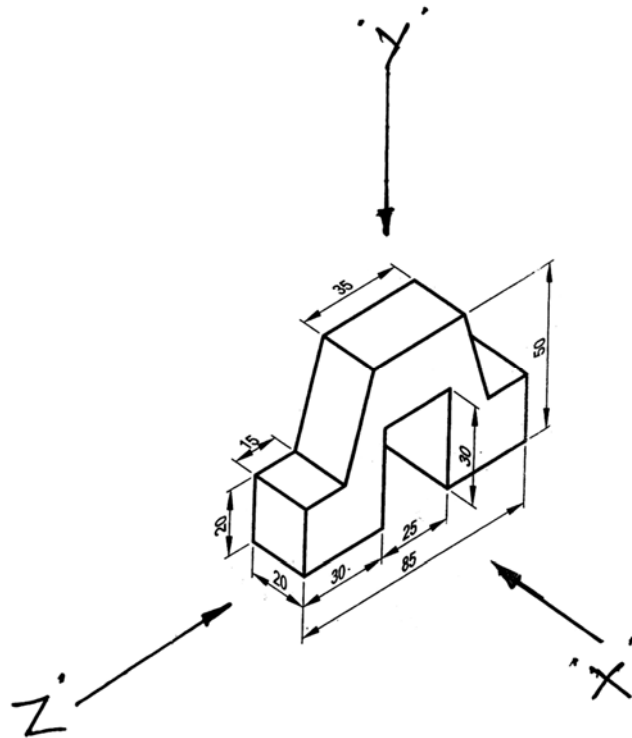
4. The front and right hand side views of an angle plate are shown in figure No. 1. Draw its isometric view. 10



**Figure No. 1**

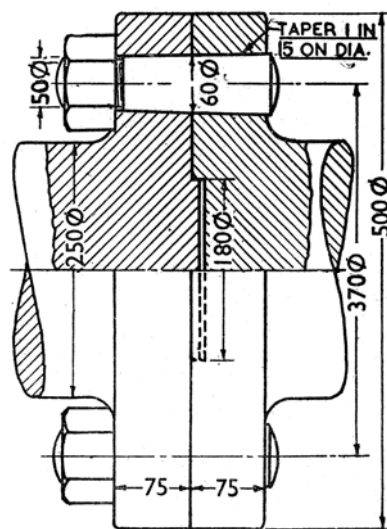
5. The pictorial view of an object is shown in figure No. 2. Draw the following orthographic views and mark the dimensions : 10
  - i) Front view — looking in the direction of arrow 'X'

- ii) Top view — looking in the direction of arrow 'Y'
- iii) Side view — looking in the direction of arrow 'Z'.



**Figure No. 2**

6. Figure No. 3 shows the sectional elevation of a solid flanged coupling. Draw the sectional elevation of a solid flanged coupling to half full size (1 : 2 size) and mark dimensions. 10



**SOLID FLANGED COUPLING**

**Figure No. 3**

